

1

2

3

4

5

6

A

A

B

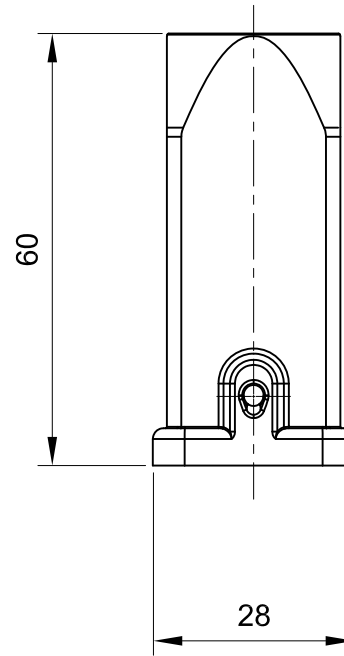
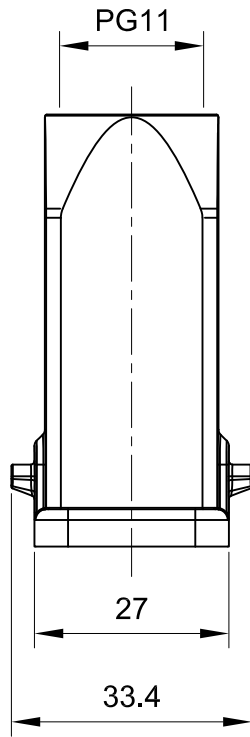
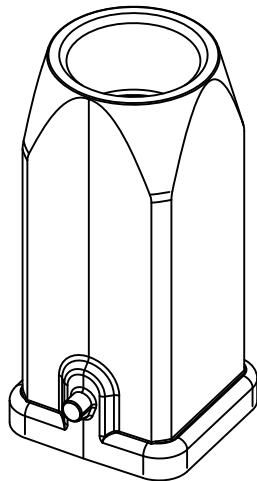
B



C

C

D

D



 InKonn® InKonn (Suzhou) Electric Technology Co.,Ltd.	 All Dimensions in mm Original Size DIN A4	Date 2020-01-23	Drawing No. TC0835105	Rev. A00	Scale 1:1
	Part No. 10 01 803 0010	Created by Shuxu Huang	Checked by Yiyi Luo	Page 1/1	
Type Name HA3-TE-DB-PG11					

1

2

3

4

5

6